

GENERAL FEATURES

- Rack size **40x40 cm**
- Gross weight: 40,5 Kg
- Washing cycle/racks/hour: 120"/30
- Bottom wash/rinse arm
- Top rinse arm
- Washing pump: 190 W
- Boiler capacity: 3 liters
- Tank capacity: 12 liters
- Boiler heating element: 2,7 kW
- Tank heating element: 2,4 kW
- Water quantity per cycle: 2 liters
- Electromechanical controls
- Useful washing height: 300 mm
- Magnetic door microswitch
- Automatic water filling
- Built-in rinse-aid dispenser (adjustable)
- Hot rinse
- Thermostop function
- Non-return valve

FILTRATION

- Plastic wash pump filter, easily removable

BODY

- AISI 304 stainless steel body
- Partial double skinned body
- Preformed rack guides
- Preformed wash tank
- Double skinned door
- Door handle in s/s
- Wash/rinse arms in s/s, easily removable
- Boiler in s/s AISI 304

EQUIPMENT AS GLASSWASHER

- 2 glass racks 40x40 cm
- 1 cutlery small basket
- 1 insert for saucers
- 1 inlet hose (length 2 mt)
- 1 drain hose (length 2,5 mt)

OPTIONAL

- Adjustable electric detergent dispenser
- Drain pump
- Hot water filling (max 85°C)
- 60Hz version
- Kit booster pump
- Kit surface filters
- Kit high feet

ACCESSORIES FOR THE WATER TREATMENT

- Built-in water softener ("S" version)
- External water softener

ACCESSORIES

- Special racks (round basket Ø40 cm)
- S/S stand height 550mm

INSTALLATION

- Use the screws of the feet and a spirit level to ensure that the machine is levelled

MAIN POWER SUPPLY

- The voltage of main power supply must be compatible with the rated voltage
- The machine must be connected to a suitable earth (ground) system
- Connect the machine power socket to the multi-pole wall switch provided

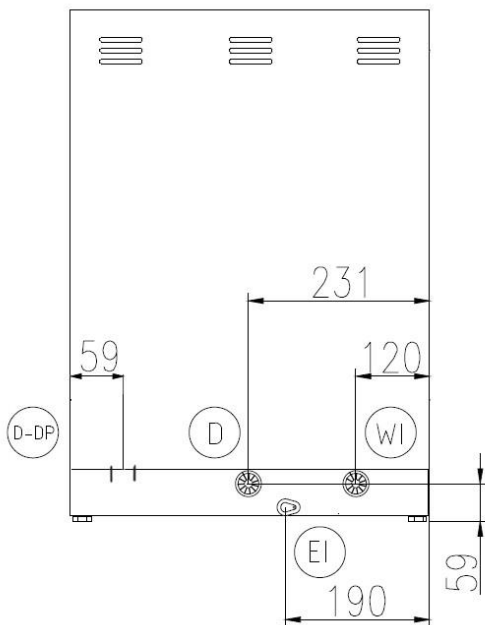
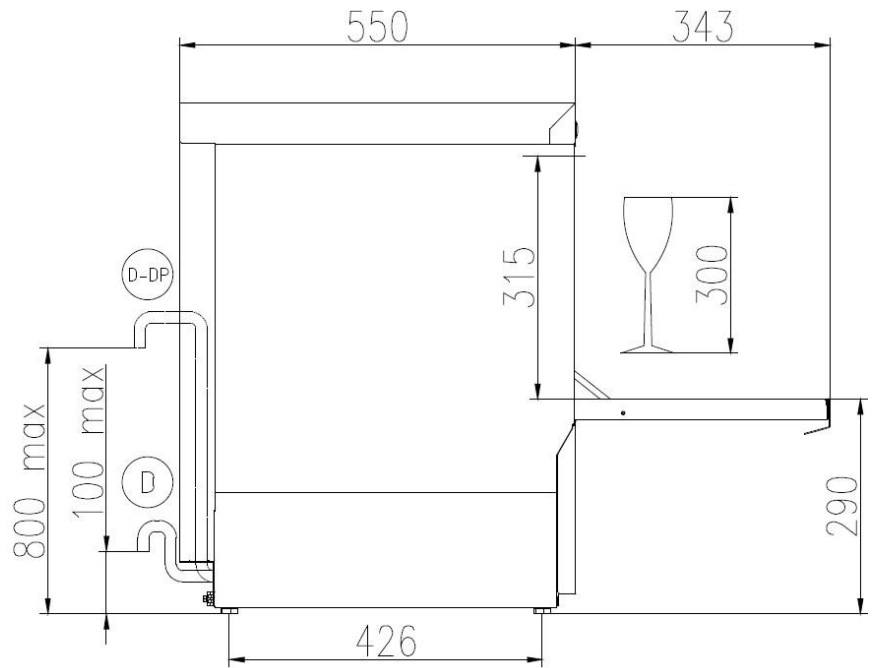
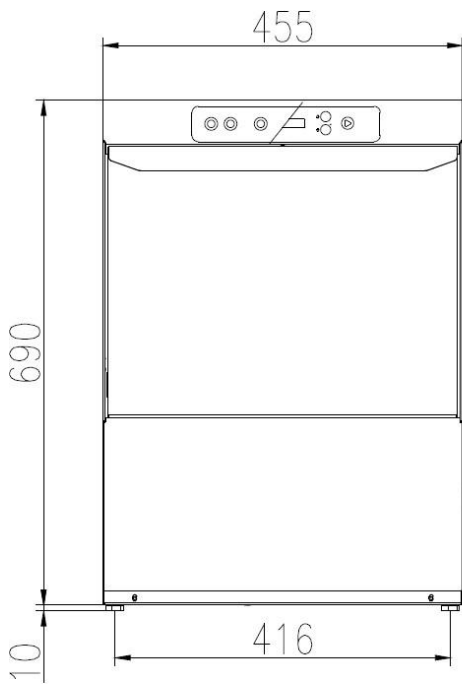
WATER SUPPLY CONNECTION

- A water softener must be installed if the water is hard
- The water pressure must be between 0.2MPa (2 bar) and 0.5MPa (5 bar)
- The temperature of the water supply must be between 10°C to 50°C (max 25°C with water softener)

TECHNICAL SPECIFICATIONS

- Electrical supply: **220-240 V ~ 50 Hz**
- Total power: **2,89 kW**
- Absorbed current: **13 A**
- Power cord supply size: **3 x 1,5 mm²**

FK 40



- EI** CAVO DI ALIMENTAZIONE
POWER CORD SUPPLY
CABLE D'ALIMENTATION
CABLE DE ALIMENTACION
- WI** CANNA DI CARICO G 3/4 L=2000 mm
G 3/4 INLET HOSE L=2000 mm
TUYAU D'ALIMENTATION G 3/4" L=2000 mm
TUBO DE ALIMENTACION G 3/4" L=2000 mm
- D** TUBO DI SCARICO ϕ 29 mm L=2500 mm
DRAIN HOSE ϕ 29 mm L=2500 mm
TUYAU DE VIDANGE ϕ 29 mm L=2500 mm
TUBO DE DESAGUE ϕ 29 mm L=2500 mm
- D-DP** TUBO DI SCARICO ϕ 29 mm L=2500 mm (CON POMPA SCARICO)
DRAIN HOSE ϕ 29 mm L=2500 mm (WITH DRAIN PUMP)
TUYAU DE VIDANGE ϕ 29 mm L=2500 mm (AVEC POMPE DE VIDANGE)
TUBO DE DESAGUE ϕ 29 mm L=2500 mm (CON POMPA DE DESAGUE)

	Min 10°C-MAX 50°C Min 10°C-MAX 25°C with ENERGY RECOVERY
	200÷500kPa(2÷5 Bar) 100÷500kPa(1÷5 Bar) with ATMOSPHERIC BOILER
	HARDNESS 5÷20°f-2.8÷11°d